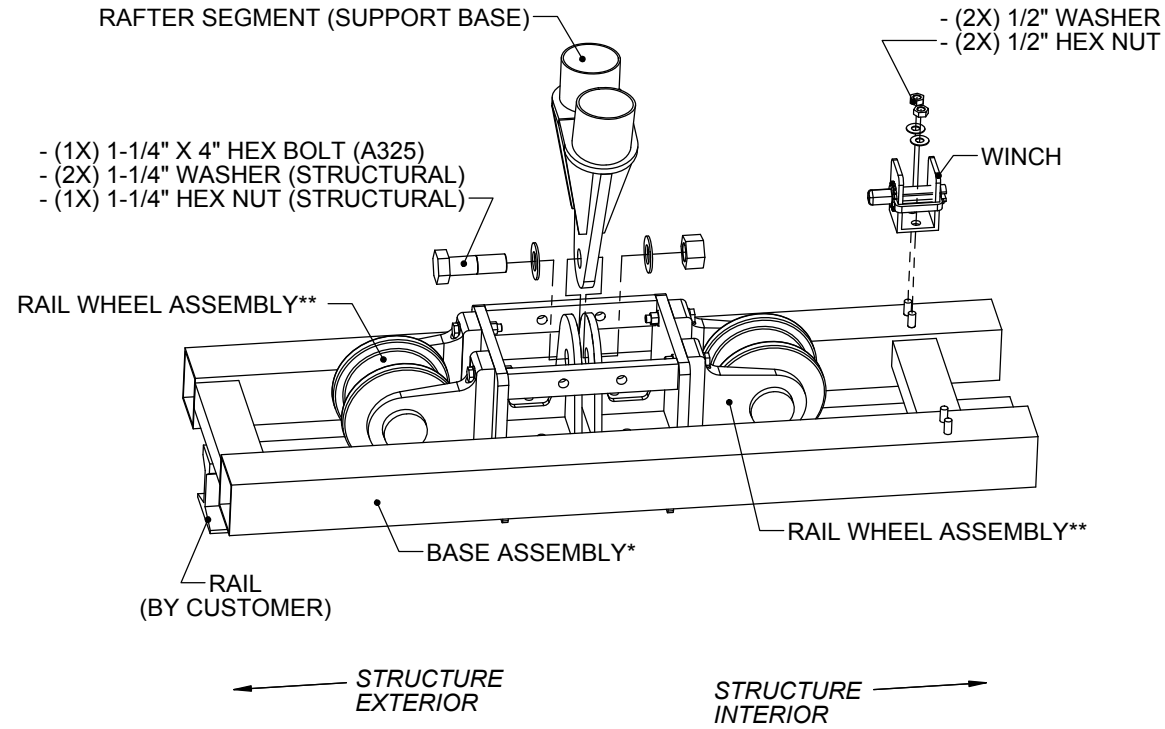


\*NOTE: REFER TO SHEET [H1] FOR BASE ASSEMBLY SKU.  
 \*\*NOTE: REFER TO SHEET [G6] VIEW 1 FOR RAIL WHEEL ASSEMBLY SKU.

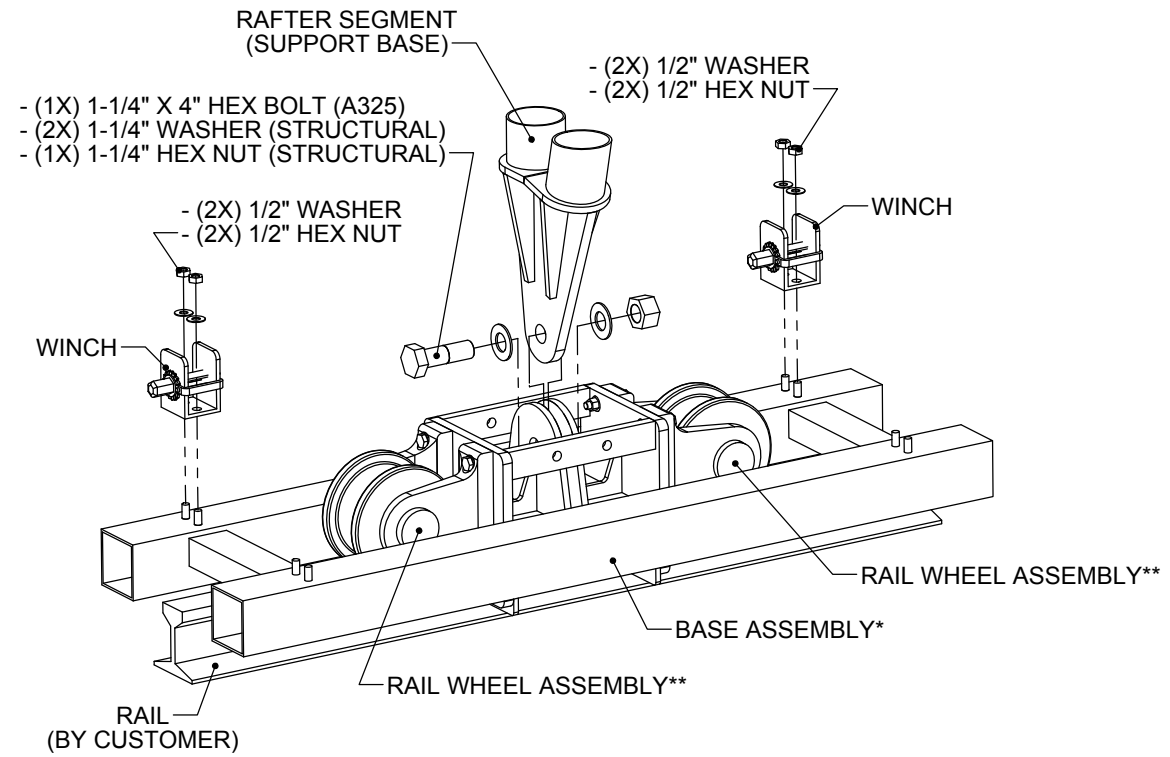


**[G4] VIEW 1 - RAIL SEGMENT TO RAFTER SEGMENT CONNECTIONS (END)**

\*NOTE: REFER TO SHEET [H1] FOR BASE ASSEMBLY SKU.  
 \*\*NOTE: REFER TO SHEET [G6] VIEW 1 FOR RAIL WHEEL ASSEMBLY SKU.

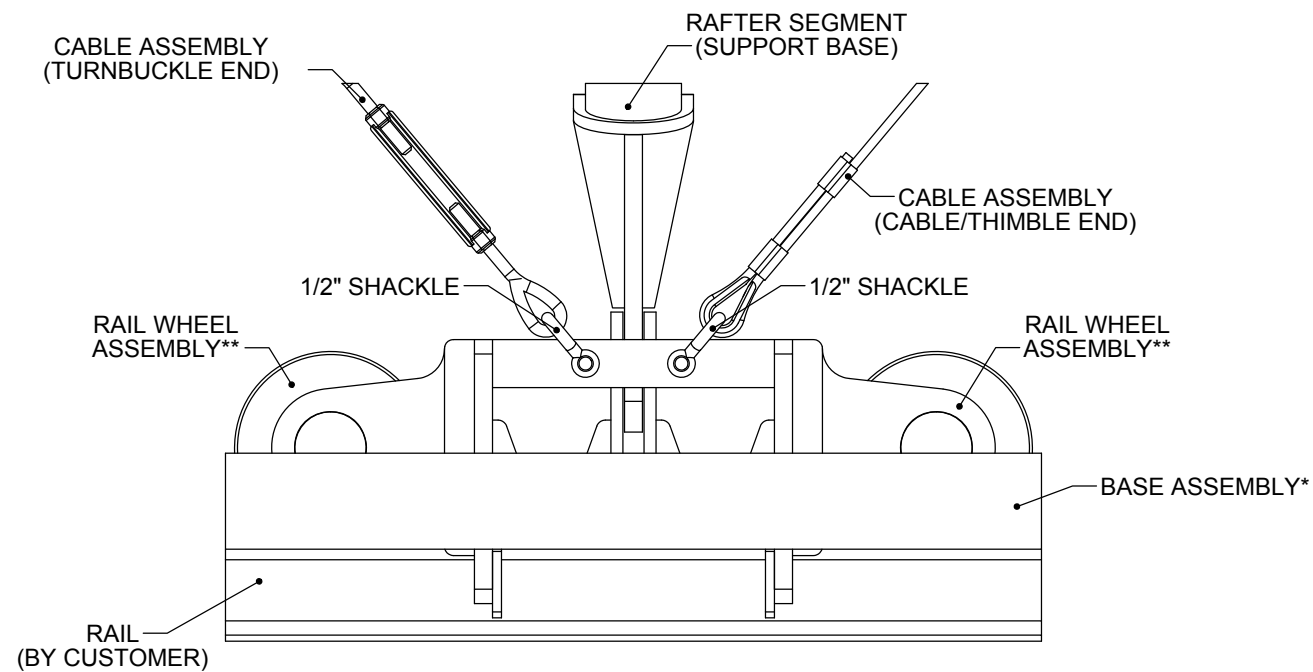


IF COVER HAS A SINGLE POCKET ABOVE BASE, TWO (2) WINCHES WILL BE USED AS SHOWN. IF COVER HAS SINGLE POCKET ABOVE WINCH WITH AN ADDITIONAL POCKET BELOW WINCH, ONLY ONE (1) WINCH WILL BE ATTACHED TO BASE AND ONE ADDITIONAL SECURING METHOD USED FOR BELOW BASE.



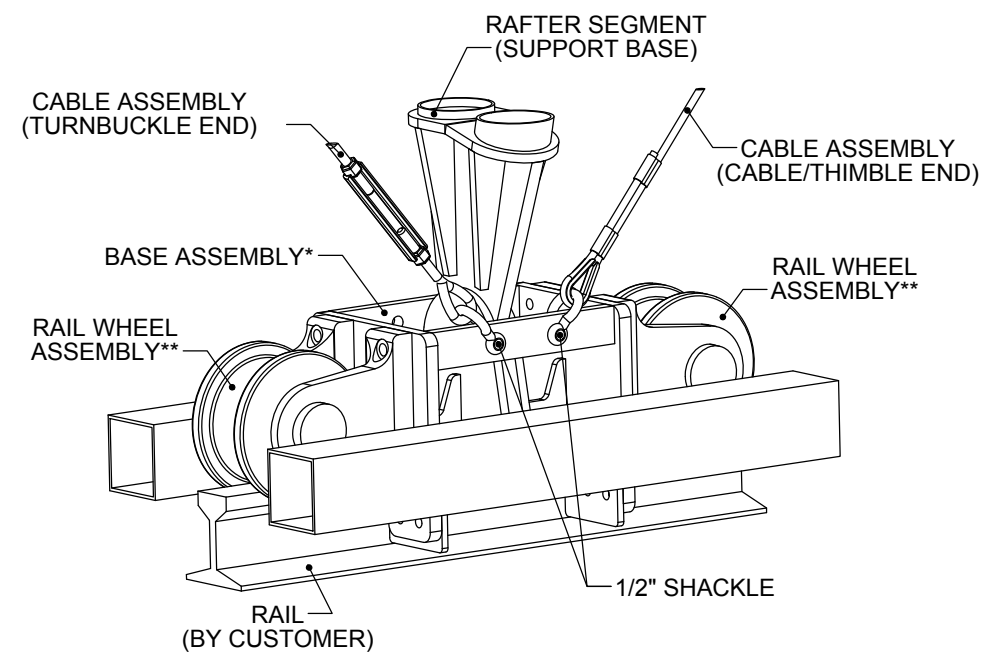
**[G4] VIEW 2 - RAIL SEGMENT TO RAFTER SEGMENT CONNECTIONS (MID)**

\*NOTE: REFER TO SHEET [H1] FOR BASE ASSEMBLY SKU.  
 \*\*NOTE: REFER TO SHEET [G6] VIEW 1 FOR RAIL WHEEL ASSEMBLY SKU.



**[G4] VIEW 3 - TYPICAL CABLE / SHACKLE CONNECTIONS (SIDE VIEW)**

\*NOTE: REFER TO SHEET [H1] FOR BASE ASSEMBLY SKU.  
 \*\*NOTE: REFER TO SHEET [G6] VIEW 1 FOR RAIL WHEEL ASSEMBLY SKU.



**[G4] VIEW 4 - TYPICAL CABLE / SHACKLE CONNECTIONS**

STRUCTURE SKU #  
**T100HKVF001175**

STRUCTURE SIZE:  
**100' X 175'**

STRUCTURE DESCRIPTION:

CUSTOMER INFORMATION:

CONTACT PHONE:

CUSTOMER CONTACT:

SHEET TITLE:  
**BASE WINCH & CABLE CONNECTION DETAILS**

**DRAWING DETAILS**

DRAWN BY: **SMN** CREATION DATE: **6/11/2019**

**REVISIONS:**

NO. BY: REVISION DATE:

1		
2		
3		
4		

NOT TO SCALE SHEET SIZE: 11X17

SHEET:

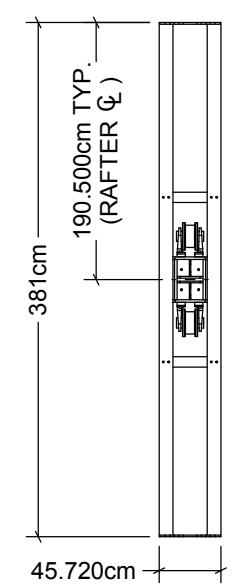
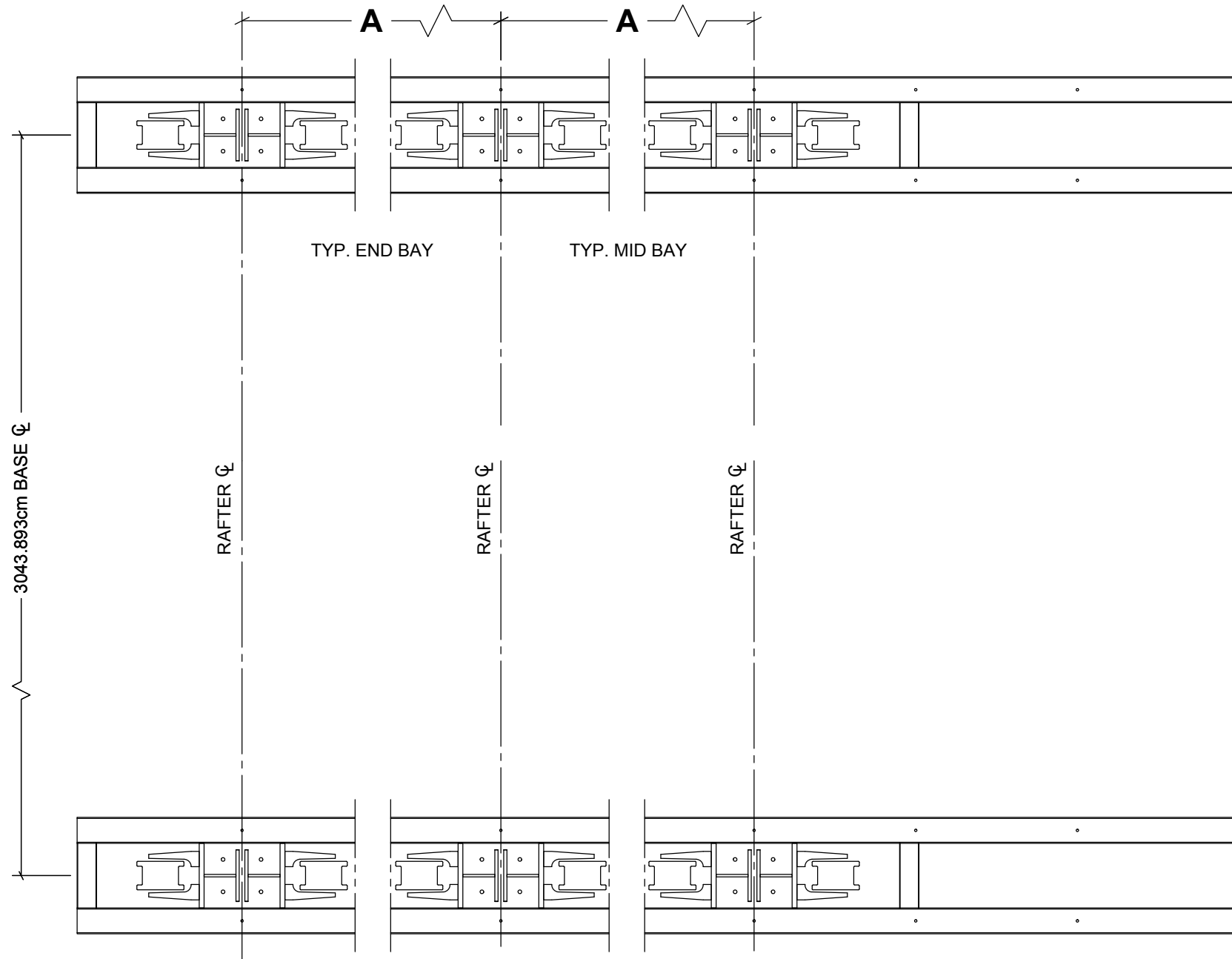
**G4**

\*REFER TO SHEET [C1] FOR BAY NUMBERING

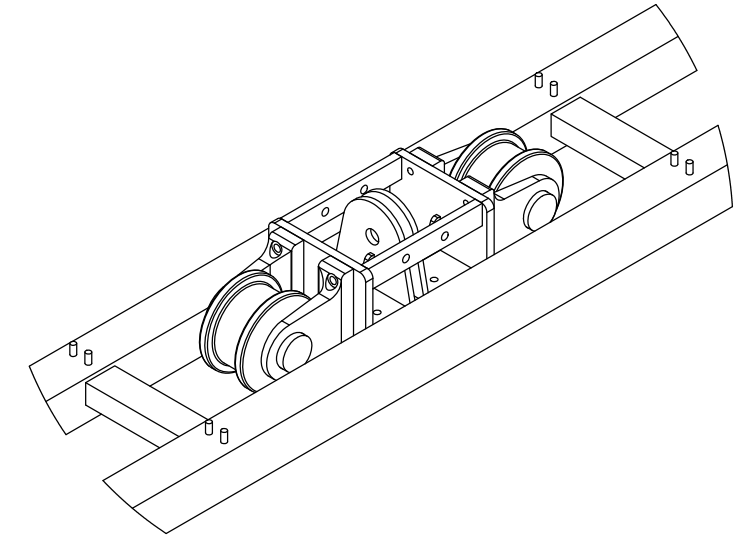
BAY NUMBER*	A (RAFTER SPACING)
1 - 14	381cm

\*\*REFER TO SHEET [E1] FOR BASE LOCATIONS

RAFTER TYPE	LEFT BASE SKU**	RIGHT BASE SKU**
END	BP046S150E	BP046S150E
MID	BP046S150M	BP046S150M

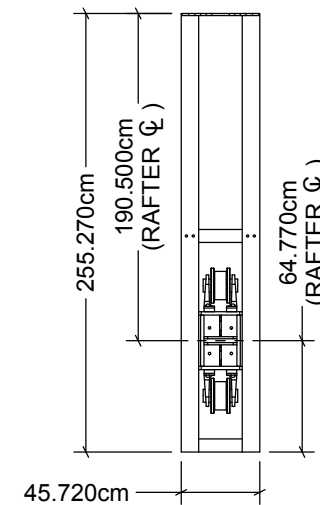


TOP VIEW

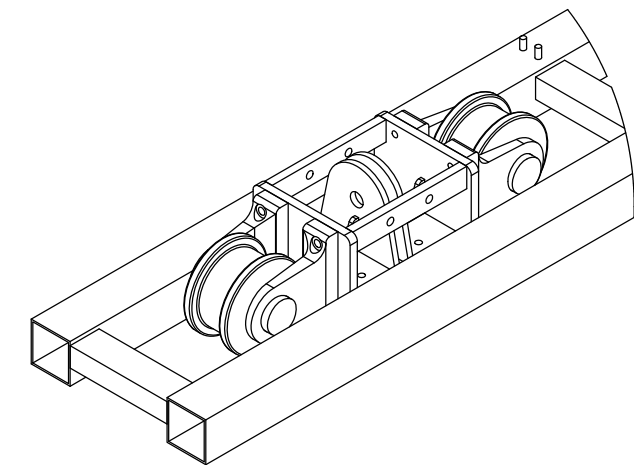


ISOMETRIC VIEW

**BP046S150M DETAILS**



TOP VIEW



ISOMETRIC VIEW

**BP046S150E DETAILS**

CUSTOMER INFORMATION:		STRUCTURE SKU # <b>T100HKVF001175</b>	STRUCTURE SIZE: <b>100' X 175'</b>	STRUCTURE DESCRIPTION:
CUSTOMER CONTACT:	CONTACT PHONE:	SHEET TITLE: <b>BASE PLATE LAYOUT &amp; DETAILS</b>		

DRAWING DETAILS	
DRAWN BY: <b>SMN</b>	CREATION DATE: <b>6/11/2019</b>
REVISIONS:	
NO.	REVISION DATE:
1	
2	
3	
4	

NOT TO SCALE SHEET SIZE: 11X17  
SHEET: **H1**